

R E V A R A

reduced · style-defining · powerful

DIE REVARA ...

Public spaces and buildings require lighting concepts that are increasingly functional and attractive at the same time.

The REVARA from Hess: A luminaire that more than meets these requirements – by day and at night.

... ATTRACTIVE BY DAY ...

The design offers a slim, reduced form and style-defining elements at the same time. The characteristic ribbed structure of the luminaire, deliberately designed as a visible element and connection cables enclosed by a fabric tube, or also the use of identical radii, all form striking design features which ensure an extremely attractive and harmonious appearance.

... EASY TO USE ...

The REVARA is thoroughly refined and well-thought-out. This means that the luminaire can be opened very easily and the electrical unit as well as the glass or the seal can be replaced without difficulty – without any tools. And thanks to the connection to masts with a spigot diameter of 76mm and 60mm, the luminaire is also versatile.

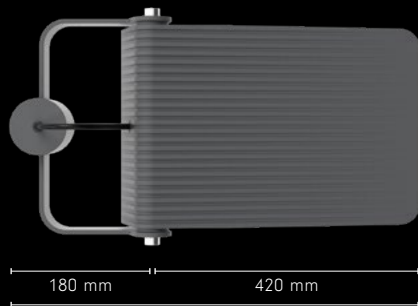
... POWERFUL AT NIGHT!

Speaking of versatile. With a system output of up to 97 watts, the REVARA is ideally suited for mounting heights between 4.5m and 8m. A variety of optics as well as the possibility of connecting a wide range of dimming and control systems ensure maximum performance, flexibility and efficiency.



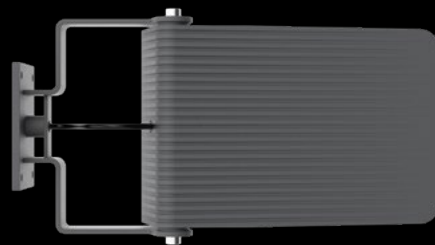
A COMPLETE FAMILY . . .

REVARA L 600



REVARA L 600

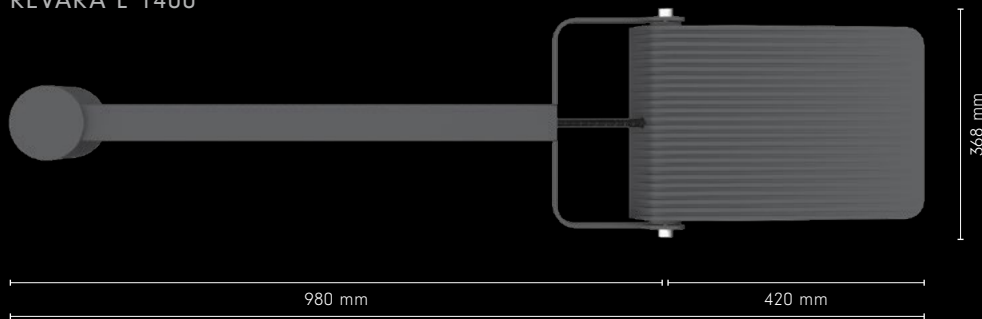
REVARA WL 600



The REVARA is available in 3 versions right from the start: As a bracket-mounted luminaire, a bracket-mounted luminaire with a long bracket and as a wall bracket luminaire. As a further variant, the REVARA will also be available as a bollard luminaire.

As a complete family, the REVARA is therefore ideally suited to create urban spaces in a uniform and harmonious overall picture.

REVARA L 1400



REVARA L 1400



THE HIGHLIGHTS

Sophisticated design meets high functionality. The REVARA combines the best of both worlds. A high design standard goes hand in hand with many technical refinements and a simplicity that is more than impressive in terms of installation and maintenance of the luminaire. See for yourself how well thought-out the concept of the REVARA is:

- ✓ **Housing can be opened without tools -**
Simply push the button which releases the self-locking device and safety catch
- ✓ **Electrical system can be swung downwards to open and replaced without tools -**
The electrical system is automatically de-energised when the unit is swung open
- ✓ **Drivers can be changed without tools**
(with the electrical system swung open)
- ✓ **Wide range of system wattages -**
Power range from 21-97 watts
- ✓ **Ideal for mounting heights from 4.5m-8m**
- ✓ **Stepwise adjustment of the setting angle -**
Angle adjustable from 0°-30° via lateral fixing
- ✓ **Variety of optics -**
for almost every requirement

THE REVARA L 600 BASIC

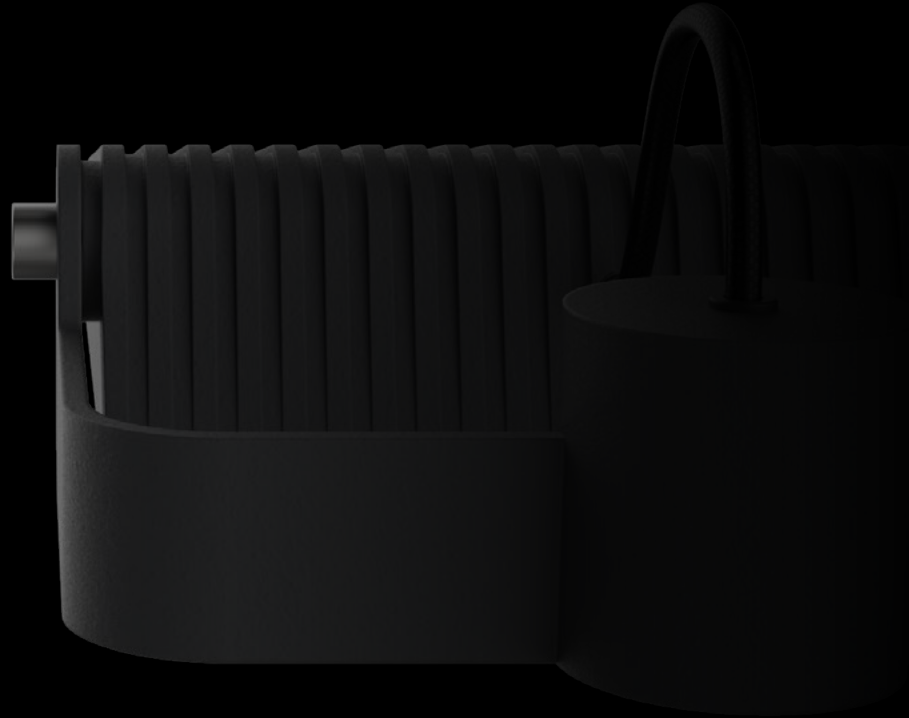
The REVARA L 600 BASIC represents the entry into the world of REVARA. Designed for projects with a particularly tight budget, this version already has all the essential features needed to enhance urban spaces in an attractive way.

The REVARA L 600 BASIC is equipped with the following:

- ✓ **Luminaire colour in attractive DB703**
- ✓ **Light colour in either 1800K, 2700K, 3000K or 4000K**
- ✓ **Choice of protection rating I or II**
- ✓ **System wattage ranges from 21 to 50 watts**
- ✓ **LEVO3 with 3 different optics: O1, O3 and O7**
- ✓ **Can be opened and serviced with simple tools**
- ✓ **Dimmable via AstroDim and DALI**



Hess GmbH Licht + Form
Lantwattenstrasse 22
D-78050 Villingen-Schwenningen
Phone: + 49 (0) 7721 920-0
E-mail: info@hess.eu
www.hess.eu



© Hess GmbH Licht + Form
10/2021

We reserve the right to make technical changes.